

Multi-purpose Switch / Controller w/ Power Module



FEATURES

- Up to 49 Amp for warning lights, siren, work lights and auxiliary devices.
- 8-button control panel with two-color backlight, build-in Buzzer and 10 indicator LED for traffic arrow.
- 3 inputs for Siren Park Kill, external buttons, signal detection and ignition detection application.
- Programmable function for European Siren Interlock, Traffic Arrow or Scene buttons for quick activation.
- Entering Standby Mode automatically after the controller has been inactivated for 1 or 15 minutes.

SPECIFICATIONS

Compliance: ECE R10

Operating Voltage: 10~30VDC

Input Current: max45A / standby current 35mA

Output Voltage: 10~30VDC

Output Current:
 (Positive) 15A x 1 / 10A x 2 / 10A x 1 (for Output 4~8)
 (Negative) 2A x 2

Fuse Rating: 50A

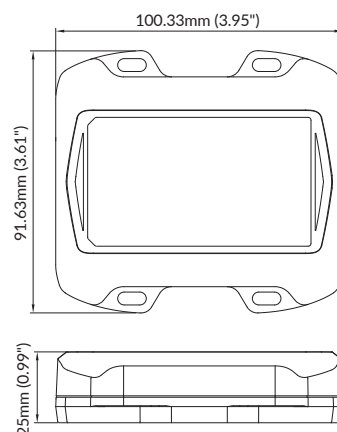
Storage Temperature: -40°C ~ 75°C

Operating Temperature: -40°C ~ 60°C

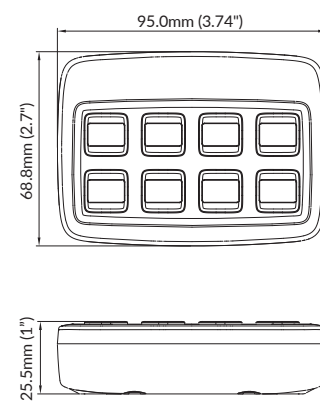
Cable Length: 6-pin wire harness, 30cm
 RJ45 Cable, 400cm

DIMENSIONS

Power Module



Controller



DECALS

